

A

A-Arm Mount Plate	49
A-Arm Nut Plate	48-49
A-Arm Slug	48
A-Arm Spacer	49
A-Arms	48-50
Accumulator	186
Adel Clamp	235
Adhesive	251
Adjustable Wrench	274
Air Box	13, 18
Air Box	358
Air Cleaner Nut	216
Air Dam	280
Air Duct Hose	136
Air Filter	215, 358
Air Filter Oil & Cleaner	358
Air Riveter	31
Air Tank	176, 327
Aluminum Sheet	29
Angle Finder	273
Anit-Seize	39, 43, 155, 206
Arm Guard	277
Arm Restraint	260
Assembly Lube	229, 235
Axle Lock Up Plug	157
Axle Nuts (Sprint/Midget)	316-317, 325
Axle Puller	163
Axle Seals	163
Axle Strap	40
Axle Tether	286
Axle Tubes	164
Axles	163, 286

B

Balance Bar Assembly	135
Ball Joint Boot	57
Ball Joint Holder	49
Ball Joint Sleeve	54, 55, 57
Ball Joint Socket	54, 57
Ball Joint Tool	55
Ball Joints	53-56
Batteries	206-207
Battery Box	206-207
Battery Cable	145, 207, 208
Battery Charger	207
Battery Disconnect	208
Battery Tender	207
Battery Terminals	145
Bead Breaker	179, 322-323
Beadlock Bolts	322
Beadlock Rings	173-174
Bearing Spacers	170
Bearings (wide 5)	169
Bell Crank	357
Bellhousings	137, 143, 144
Belts	68, 184
Birgace	101-104
Birdcage Bearing	
Stock Car	103, 105
Sprint & Midget	318
Birdcage Bracket (sprint)	318
Birdcage Clevis (sprint & midget)	319
Birdcage Insert (midget)	319
Birdcages (sprint & midget)	317-318
Bladders (sprint & midget)	350
Bleeder	175-176, 326
Bleeder (brake)	118, 131, 332, 336
Bleeder Disconnect	326
Bleeder Screens	326
Bleeder Tank	176, 327
Blower (helmet)	258
Bodies & Body Mounting	2-34, 276-279

Body Bolts	32
Body Brace	2, 4, 8, 11, 15, 24, 26-28
Body Savers	34, 279
Body Washers	32
Bolts	35, 36
Brackets	38, 126, 283
Brake Bias Adjusters	135
Brake Bias Panel	131
Brake Blower/Fan	136
Brake Bracket	101, 120, 126, 164, 331-332, 335
Brake Caliper	116-119, 329-330, 332, 335-336
Brake Caliper Orings	118
Brake Caliper Pistons	118
Brake Cleaner	55, 60, 118, 130, 183, 193, 330, 332, 340
Brake Clip	126
Brake Disconnect	135, 330, 338
Brake Duct	18
Brake Duct	136
Brake Duct Hose	136
Brake Fittings	126-129, 243-245, 337
Brake Floater	105, 120
Brake Fluid	131, 338
Brake Kit (sprint)	332
Brake Light Switch	135
Brake Line	125-126, 128, 337
Brake Line Bender	337
Brake Line Bracket	244
Brake Line Clip	244
Brake Line Guard	320
Brake Line Kit (sprint)	338
Brake Master Cylinders	132-133, 339-340
Brake Pad Spacers	336
Brake Pads	121-124, 329, 331-332
Brake Pedals	134, 340
Brake Pressure Gauges	131
Brake Proportioning Valve	130
Brake Residual Pressure Valve	130, 338
Brake Rotor Clamp (sprint & midget)	334
Brake Rotors	113-116, 329-330, 332-333
Brake Shim & Spacers	125
Brake Shut Off Valve	131
Breather (rear end)	311
Breather Tank (crankcase)	185
Breathers (rear end)	155
Breathers (valve cover)	185, 217
Bump Steer Gauge	272
Bump Steer Spacer	58
Bump Steer Stud	58
Bump Stop	75-76, 89
Bumper	7, 12, 16, 21, 281
Bumper Cover	6, 12, 16, 20
Bumper Duct	136
Bumper Mounting	13, 16, 21
Bushing (torsion bar)	301
Bushings (torque link & traction)	107, 112
Bypass (fuel)	355-356
Bypass Checker	359
Bypass Pills	356

C

Cage	1
Caliper Brackets	101, 120, 329
Caliper Orings	118
Caliper Shim	125
Calipers	116-119
Cam Seal Plate	293
Cam Spud	293
Canister Mount	79, 90
Cap (fuel)	228
Cap (power steering)	70
Cap/Rotor	346

Car Covers	273
Carb Fittings	220, 242
Carb Gaskets	218
Carb Hat	216
Carb Line Assemblies	220
Carb Spacers	221
Carb Stud	216, 221
Carburetor Parts	218-219
Carburetors	217-218
Carrier Case	162
Carrier Seal (quick change)	157
Carriers (ford 9")	160
Caster Camber Gauge	273
Center Link	59
Chain Limiter	105
Chassis	1, 275-276
Chromoly Bolts	36
Chromoly Studs	35
Cleaner	2, 4, 9-10, 28, 278, 280, 288, 312
Cleco	33
Cleco Clamp	33
Cleco Tool	33
Clevis	43
Clutch Alignment Tool	141
Clutch Pack	138-140
Clutch Pedal	134-135
Clutch Slave Cylinder	133
Clutches	137-141
Coil Brackets	201
Coil Over Bearing	75, 88
Coil Over Hardware	75-76, 79, 81, 84-85, 88-89
Coil Over Springs	92, 94
Coil Wires	201, 205, 346
Coils	201, 204, 347
Collapsible Steering Column	63-64
Collar Clamp	65
Control Arm (lower)	50-51
Control Arm (upper)	48-50
Control Arm Bushings	51-52
Control Arm Spacers	51
Coolers	69
Cotter Pins	118
Counter Sink Drill Bit	28
Coupler (sprint)	307
Cowl	18
Crank Hub	143-144
Crank Mandrel	183
Crank Trigger	347
Crash Pad	269
Crimp Hose & Fittings	231
Crimper	209
Crush Washers	239, 243-244
D	
Dash (sprint)	278
Deck Lid Mount	8, 13
Degreaser	193
Differentials	157
Dimpling Tool (dzus)	34
Distributors	202-203
Distributor Gears	203, 346
Distributor Hold Down	203, 346
Distributor Parts	204
Door Bar	1
Door Bar Pad	267
Door Support	8
Dowel Pin (motor)	302
Drain Plug	186
Drill Bit	28, 31
Drill Bit	171
Drill Block	38
D-Ring Kit	259

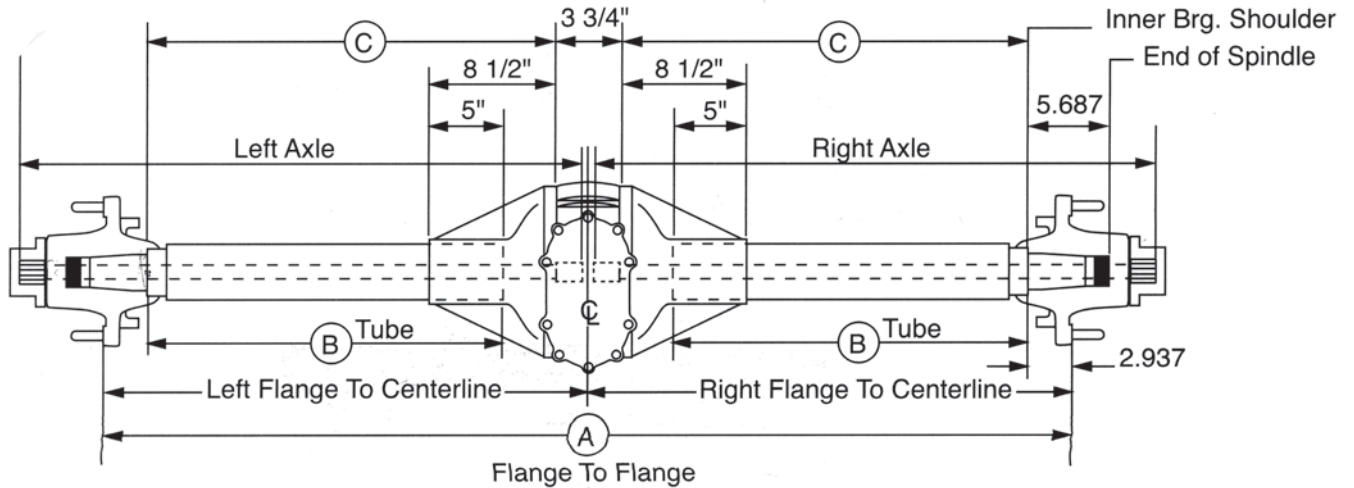
Drink Holder	266	Fuel Filter Bracket	224, 352	Hose Finisher	235
Drive Flange	168-169	Fuel Filters	224, 350, 352	Hub Bearings (sprint)	287
Drive Flange Bolt Kit	168	Fuel Jug	228, 354	Hub Bearings (wide 5)	169
Drive Flange Gasket	168	Fuel Line	221, 229, 234	Hub Nut	169-170
Drive Spud	183	Fuel Manifold	242, 354-355	Hub Seal (wide 5)	169
Driveline Checker	305	Fuel Pickup	228	Hub Wrench	169, 287
Driveline Restraint (sprint)	306	Fuel Pumps	225-226, 353-354	Hubs (5x5)	169-170
Drivers Suit	263	Fuel Regulator	226, 355	Hubs (sprint front)	287
Driveshafts	151	Fuel Shut Off	225, 353	Hubs (wide 5)	167
Driveshafts (sprint)	306	Fuel Treatment	223, 227-228, 351, 354-355, 359	Hydraulic Throw Out Bearing	142
Dry Break (brakes)	135, 142	G		I	
Dry Sump Belts	184	Gas Pedal	222-223	Idiot Lights	210, 214
Dry Sump Breather Cans	185	Gasket (ford 9")	161	Idler Arm	59
Dry Sump Filters	187	Gasket (fuel cell)	228, 351	Ignition Box	200, 347
Dry Sump Pulleys	183	Gaskets (quick change cover)	156	Ignition Box Mount	200, 346
Dry Sump Pump Mount	183	Gauge Brackets	278	Indexing Washers (spark plugs)	206, 347
Dry Sump Pump Parts	182	Gauge Fittings	213, 349	Inflation Gun	171
Dry Sump Pumps	182	Gauge Grommet	212, 278, 349	Inflation Unit	78, 80, 84-85, 90
Dry Sump Tank	184	Gauge Panels	213, 349	Injection Plugs	359
Dry Sump Tank Heater	184	Gauge Panels	213, 349	Injection Stack Seals	359
Dry Sump Tank Mounts	302	Gauges	212, 348	J	
Duct	18	Gear Bag	265	Jack Stands	274
Duct Tape	39	Gear Oil	153, 165, 312	Jacobs Ladder	319-320
Durometer	179	Gear Totes	158, 312	Jacobs Ladder Pin	320
Dust Cap & Plugs	241	Gear Tray	158, 312	Jacobs Ladder Springs	320
Dust Cap (sprint)	288	Gears (quick change)	158-159	Jacobs Ladder Strap	319
Dust Cap (wide 5)	168	Gloves	264, 266, 312	Jam Nuts	43, 296, 319
Dzus Buttons	33, 279, 322	Graphics	12	Jet Tool	219
Dzus Plate	34, 279	Grease	44, 55-56, 59, 152, 157, 168, 170-171, 288-289, 301, 304, 307	Jets (carburetor)	219
Dzus Springs	34	Grinding Disc	180	Jumper Posts	208
Dzus Tool	33, 34	Groover	179	K	
E		Ground Cable	208	Kick Panels	279
Ear Buds	267	Gussett	38	Kill Switch	346
Electrical Connectors	209	H		King Pin	289
Engine Heaters	343	Harness Pads	260	King Pin Bearing Kit	289
Engine Oil	189-193	Head & Neck Restraint	259-260	King Pin Bushings	289
Exhaust Clamps	250, 344-345	Head Support	267	King Pin Reamer	289
Exhaust Elbows	249	Header Bolts	248, 344	King Pin Shims	289
Exhaust Tabs	250, 345	Header Gaskets	248, 344	King Pin Tether	286
Expansion Tank	196	Header Guard	345, 347	Knee Guard	280, 294
F		Header Studs	248, 344	Knee Pads	266
Fan Shroud	196	Header Wrap	251	L	
Fan Spacer	197	Headers	246-247, 344	Lanyard	30
Fans	196-197	Heat Mat	251	Leaf Spring	98
Fenders	23	Heat Paint	40, 251, 345	Leaf Spring Hardware	98
Fill Plate	228, 351	Heat Sleeves	266	Leak Down Tester	359
Filter (helmet)	258	Heat Sleeveing	345	Leg Supports	268
Filter Cleaner & Oil	216	Heat Tape	40, 345	Locker Spring	157
Filters (air)	215-217, 224	Heater (oil tank)	184	Lockers (ford 9")	162
Filters (oil)	187-188, 235	Heater Fittings	343	Lockers (quick change)	157
Fire Systems & Bottle	270	Heater (engine)	343	Lower Control Arm	50
Firesleeve	234	Heel Riser	279, 340	Lower Control Arm Bushing	51-52
Firewall Bearing	64	Helmet	252-255	Lower Control Arm Spacer	51
Fitting Wrenches	231, 235	Helmet Bag	255	Lowering Blocks	99
Fittings	71, 126-127, 142, 186, 213, 220-221, 229-234, 236-245, 337, 343, 354, 356	Helmet Blower	258	Lug Nut Socket	172
Flaring Tool (brakes)	126	Helmet Hose	258	Lug Nut Wrench	172
Flashlight	325, 334	Helmet Restraint	259	Lug Nuts	171-172
Flexplate Bolts	141	Helmet Shield	255-256	Lumbar Support	269
Flexplates	141	High Speed Checker	359	M	
Flip Pin	30	Honeycomb (radiator)	198, 342	Magneto	346
Floor Pan	279	Hood	276-277	Magneto Gear	346
Flow Valve	67	Hood Hinge	2, 9, 13, 21, 28	Master Cylinder Return Spring	340
Flywheel	138-140, 143-144	Hood Pin Bracket	7-8, 12, 16, 21	Mat	274
Flywheel Bolts	139, 141	Hood Pin Lanyard	30	Mater Cylinder	132, 133, 339-340
Frames	1	Hood Pins	30	Minispool	161
Front Axle (sprint & midget)	286	Hood Prop	9, 13, 21, 28	Mirrors	270
Fuel Bypass	355-356	Hood Scoop	25	Mono Balls	45
Fuel Cell	227, 350	Hose	71, 128, 228-229, 231, 233-234	Motor Mount Spacer	44, 181
Fuel Cell Foam	227	Hose Clamps	198, 342	Motor Mounts	181
Fuel Cell Hose	228			Motor Plate (sprint)	302-303
				MSD Mount	278, 346

Mud Plug/Cover	173-175, 322-323
Mud Scraper	180
Mudd Off	26-27, 280
Mufflers	248, 345
N	
NACA Duct (helmet)	258
NACA Ducts	136
Neck Collar	259
Nerf Bars	281
Nine Inch Ford Carrier Case	162
Nine Inch Ford Carriers	160, 162
Nine Inch Ford Gasket	161
Nine Inch Ford Pinion Support	162
Nine Inch Ford Rears	160
Nine Inch Ford Ring & Pinion	161
Nine Inch Ford Spool	161
Nose	6, 12, 16, 20, 22-24, 276-277
Nose Brace	8
Nose Graphics	12
Nose Pad	66
Nose Screen	6, 12, 14, 16, 20
Nose Support	23
Nose Wing	284
Nose Wing Cap	285
Nose Wing Clamp	285
Nose Wing Post	285
Nose Wing Strap	284
Nose Wing Trailer Mount	284
Notcher	21
Nozzle Filter	357
Nozzle Plug	357
Nozzle (fire)	270
Nut Kit	37
Nuts	37
Nylon Washer	239
O	
Oil (engine)	189-193
Oil (gear)	165
Oil (transmission)	166
Oil Cooler	146, 156, 189
Oil Cooler Pump	156
Oil Filter	187-188, 235
Oil Filter Cutter	188
Oil Filter Mount	187
Oil Pan	186
Oil Pan Filter	235
Oil Tank	184
Oil Tank Brackets	302
Oil Tank Heater	184
Orings (brake caliper)	118
Orings (fittings)	239
Quick Change Rears	152-153, 155
Overflow Tank	196
P	
Panel Clips	34
Panhard Adjuster	111
Panhard Bar	110-111
Panhard Mount	107, 109-110
Pedal Assemblies	134-135
Pilot Bushing	141
Pill Case	356
Pills (bypass)	356
Pinion Mount	107-108
Pinion Nut (ford 9")	162
Pinion Seal (ford 9")	162
Pinion Support	162
Pistons (brake)	118
Pit Socket	172
Pitman Arm	59, 291
Pivot Kit (helmet)	255-256
Plastic	29

Plastic Primer	13, 20, 29
Points Box	346
Power Steering Brackets	69
Power Steering Cooler	69
Power Steering Fitting	71, 243, 293
Power Steering Fluid	60-61, 69-70, 293
Power Steering Lines (sprint)	292
Power Steering Pump	67-68, 226, 292
Power Steering Reservoir	67, 69-70
Power Valve	219
Pre-Filters	185, 216, 358
Proportioning Valves (brake)	130
Pulley	68, 70, 183-184, 226
Punch	26
Pyrometer	178
Q	
Quick Change Cover Gasket	311
Quick Change Gear Cover	311
Quick Change Gears	158-159, 313-314
Quick Change Parts (winters)	154, 156-157, 309-310
Quick Disconnect	135, 330, 338
Quick Pin	282
Quickner (steering)	62
R	
Rack & Pinion	60-61
Rack Boot	60
Rack Plate	60, 62
Rack Spacer	62, 296
Radiator Air Box	13, 18, 342
Radiator Caps	198, 341
Radiator Hose	197-198, 342
Radiator Mount	198, 342
Radiators	198-199, 341
Radio	259, 267
Radio Box	266
Radius Rod	297
Radius Rod Clips	45
Reamer	57-58, 289, 301
Rear End (ford 9")	160
Rear End (quick change)	152-153, 155
Rear End (sprint)	308-310
Rear End Breather	155
Rear End Cooler	146, 156
Rear End Cooler Pump	156
Rear End Cover	311
Rear End Filter	155
Rear End Saver	311
Reducers (exhaust)	250
Regulators	226
Reservoir	67, 69-70
Residual Pressure Valve (brakes)	130, 338
Rev Limiter	347
Ring & Pinion	157, 161
Ring & Pinion Bolts	157, 161
Ring Gear	138-139, 143
Riser Block	195
Rivet Washer	32
Riveter	31
Rivets	31-32
Rock Screen	198, 280, 342
Rocker Panel	8, 13-14, 16, 21, 23
Rod End Reducers	44, 319
Rod End Seals	44
Rod Ends	41-43, 64, 223, 283, 295-296, 300, 315, 319, 340, 358
Roll Bar Padding	267
Roll Cage	1
Roll Off Pad	272
Roof	23-24
Roof Caps	23-24

Rotor Bolts	330
Rotors	113-116
Rub Rail	9-10, 13, 16, 21, 29
S	
Safety Wire	38
Safety Wire Drill Block	38
Safety Wire Pliers	38
Scale Box	272
Scale Cart	272
Scale Ramps	272
Scales	271
Scatter Shield	141
Schraeder Valve	176, 326
Scrub Bag	216, 359
Scuff Plate	30
Seat Belt	260-261
Seat Belt Tab	38
Seat Brackets	269
Seats	268-269
Solenoid	
Sending Unit (gauge)	214
Servo	60
Shackle	99
Shift Light	211
Shifter Boot	150
Shifter Bracket (sprint)	315
Shifter Cable	315
Shifter Knobs	150
Shifter Rods	150
Shifter	150
Shock Ends	76, 79, 81, 88
Shock Inflation Unit	78, 80, 84-85, 90
Shock Mount	91, 101-104
Shock Oil	80, 85
Shock Pin	91
Shock Protector	88
Shock Workstation	90
Shock Wrench	73, 78, 80, 84-85, 90
Shocks	72-78, 80-88
Shoes	265
Shoulder Supports	268
Shrink Sleeve	26
Shut Off Valve	225, 353
Silicon	39
Siper	180
Slave Cylinder	133
Slave Cylinder Line	126
Slide Pin	119
Slip Yoke	150
Snouts	164
Spacers	44
Spacers (A-Arm)	49
Spacers (tapered)	290
Spacers (wheel/sprint/midget)	316-317, 324
Spanner Wrench	88, 90
Spark Plug Boots	205, 251, 345
Spark Plug Guard	345, 347
Spark Plug Wires	205
Spark Plugs	206, 347
Speed Nuts	32
Spindle	57-58
Spindle Duct (brake)	136
Spindle Reamer	57-58
Spindles (midget)	289
Spindles (sprint)	288
Spline Grease	168
Spoiler	25
Spoiler Hinge	25
Spools (ford 9")	161
Spools (quick change)	157
Spring	92-94, 98
Spring Bucket	95
Spring Bushing	99

MEASURING QUICK CHANGE REAR ENDS



Note that above figure and corresponding measurements below are for a centered rear.

<u>A</u>	<u>B</u>	<u>C</u>	<u>Axle (with spool)</u>
69-5/8	26-1/2	30	38
67-5/8	26-1/2	29	37
65-5/8	24-1/2	28	36
63-5/8	23-1/2	27	35-1/8
61-5/8	22-1/2	26	34-1/8
58-5/8	21	24.5	32-5/8
57-3/8	20.375	23.875	32
55-3/8	19.375	22-7/8	31
52-7/8	18-1/8	21-5/8	29-3/4
49-7/8	16-5/8	20-1/8	28-1/4

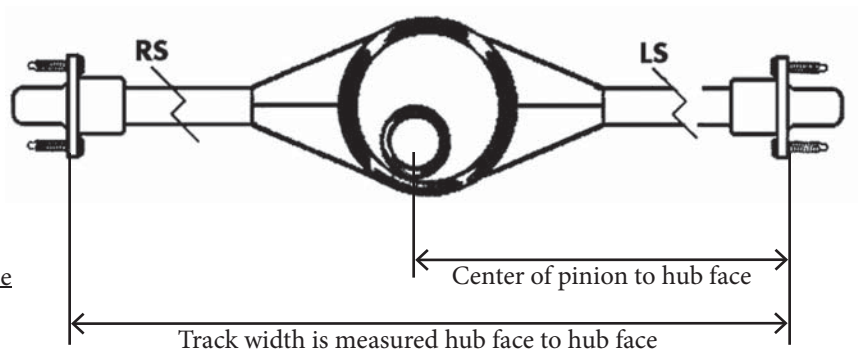
Note: With offset rears, your right tube is longer than the left tube. For example a 2" offset rear, the center is moved over 2" to the left making the right side tube 4" longer than the left side tube.

<p><u>Style of Differential</u></p> <p>Alum Locker, Triple Track, Gleason Lightweight Aluminum Locker Aluminum Spool & Steel Spool</p>	<p>Axle length formulas for Wide-5 rears:</p> <p><u>Left side</u> Flange to Flange/2 + 3.6875" - offset Flange to Flange/2 + 2.9375" - offset Flange to Flange/2 + 3.1875" - offset</p>	<p><u>Right side</u> Flange to Flange/2 + 3.6875" + offset Flange to Flange/2 + 4.9375" + offset Flange to Flange/2 + 3.1875" + offset</p>
--	--	---

MEASURING 9" FORD REAR ENDS

The offset of a rearend is determined by how much the pinion is moved left or right from the center of the track width. For an example a rearend with a track width of 64" and a 1" offset would make the distance from the pinion to the right hub face 2" longer than from the center of the pinion to the left hub face (33" RS axle, 31" LS axle).

Note: On a 9" rearend, the axle lengths on a centered rearend are generally 4" different in length. This is due to the offset of 3rd member. The measurement from the pinion to hub face will be equal.



<u>Hub</u>	<u>Track width</u>	<u>LS Axle</u>	<u>RS Axle</u>
GN	62"	29.5"	33.5"
Howe 5X5	62"	31"	35.5"
Wides 5	62"	33"	37"

