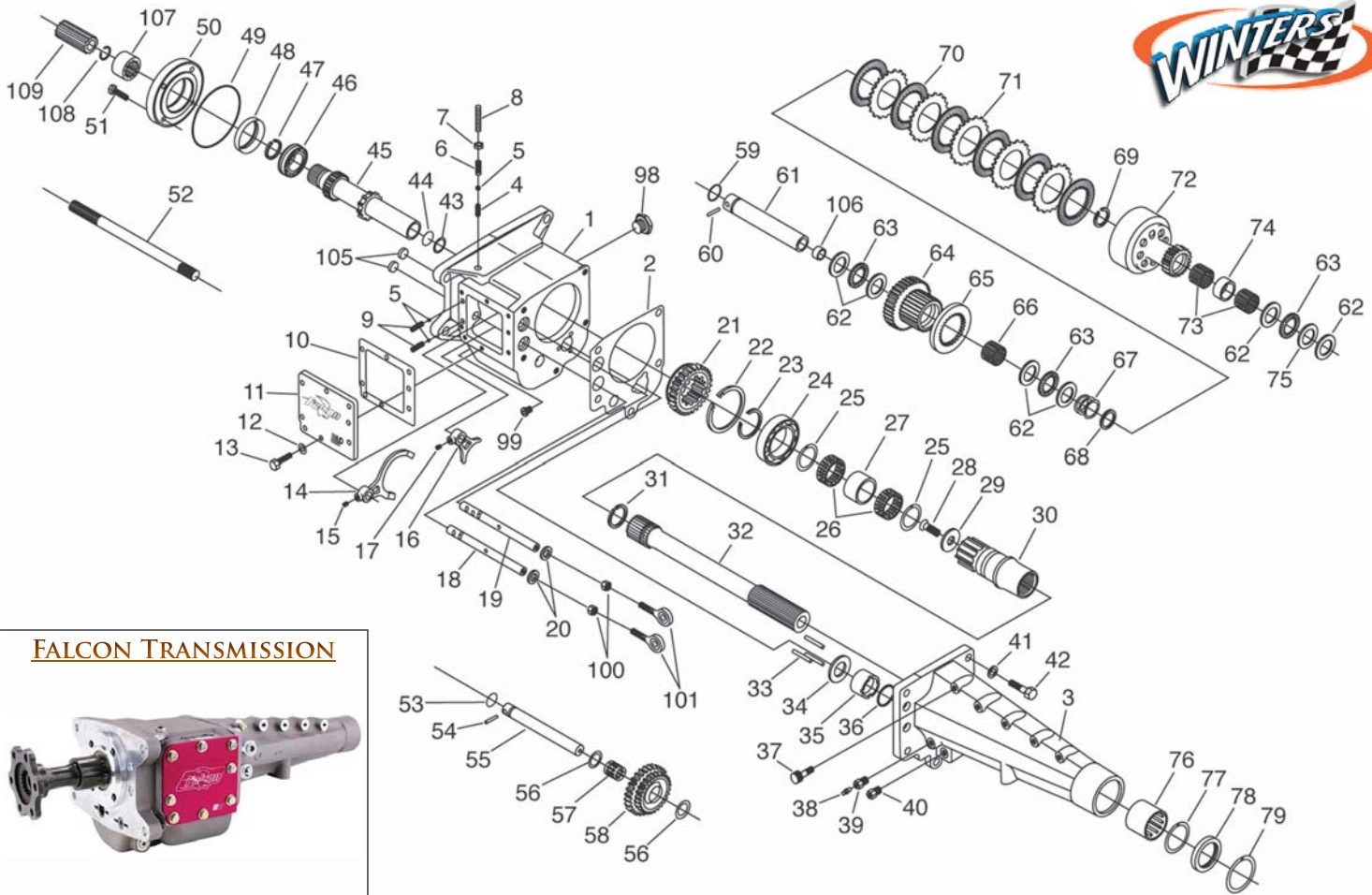


## FALCON TRANSMISSION AND PARTS



| Item | Part #    | Description          | Price  | Item | Part #       | Description             | Price  | Item | Part #       | Description            | Price  |
|------|-----------|----------------------|--------|------|--------------|-------------------------|--------|------|--------------|------------------------|--------|
| 1    | 874-61745 | Transmission case    | 353.70 | 31   | 874-67694    | Retaining Ring,         | 1.17   | 61   | 874-61737    | Counter Shaft          | 29.93  |
| 2    | 874-62155 | Gasket               | 3.72   | 32   | 874-61903    | Output Shaft            | 94.77  | 62   | 874-67560    | Thrust Washer          | 2.77   |
| 3    | 874-61877 | Extension Housing,   | 304.20 | 33   | 874-61845    | Push Rod                | 1.12   | 63   | 874-67562    | Thrust Bearing         | 3.25   |
| 4    | 874-62105 | Schuttle Pan         | 5.71   | 34   | 874-61906    | Piston                  | 5.52   | 64   | 874-61734-36 | Clutch Pack Hub        | 152.33 |
| 5    | 874-67398 | Detent Ball          | 1.48   | 36   | 874-67482    | O-ring, Piston          | 5.78   | 65   | 874-61736    | Clutch Pack Spacer     | 31.53  |
| 6    | 874-62333 | Detent Ball Spring   | 1.53   | 37   | 874-68024    | Breather                | 2.48   | 66   | 874-67591    | Needle Bearing         | 13.68  |
| 7    | 874-68031 | 3/8-16 Jam Nut,      | 0.32   | 38   | 874-65313    | Bleeder                 | 1.40   | 67   | 874-61912    | Clutch Spring          | 6.37   |
| 8    | 874-68030 | 3/8-16 x 1" Detent   | 0.54   | 39   | 874-65314    | Apapter, bleeder        | 3.49   | 68   | 874-61847    | Clutch Spring Spacer   | 1.72   |
| 9    | 874-62332 | Detent Spring, Side  | 1.53   | 40   | 874-68042    | Compression Fitting     | 4.50   | 69   | 874-67687    | Retaining Ring         | 1.12   |
| 10   | 874-62156 | Gasket, Side Cover   | 3.24   | 41   | 874-67811    | Washer                  | 0.54   | 70   | 874-61853-1  | Clutch Disc, Friction  | 8.25   |
| 11   | 874-62158 | Side Cover,          | 25.68  | 42   | 874-67117    | 7/16-14 x 1-1/4"        | 0.53   | 71   | 874-61852    | Clutch Disc, Steel     | 3.96   |
| 12   | 874-67127 | 5/16 washer          | 0.22   | 43   | 874-68304    | Retaining Ring,         | 1.88   | 72   | 874-61735    | Clutch Gear            | 220.95 |
| 13   | 874-68034 | 5/16-18 x 3/4"       | 0.36   | 44   | 874-68000    | Core Plug               | 1.27   | 73   | 874-67559    | Needle Bearing         | 8.07   |
| 14   | 874-61911 | Shift Yoke, Main     | 82.13  | 45   | 874-61991    | Main Shaft              | 147.90 | 74   | 874-62354    | Spacer                 | 1.72   |
| 15   | 874-67837 | 5/16-24 x 1/2"       | 1.17   | 46   | 874-67555    | Bearing, Input Shaft    | 15.19  | 75   | 874-67585    | Thrust Washer          | 2.77   |
| 16   | 874-61691 | Shift Yoke, Reverse  | 71.43  | 47   | 874-67682    | Retaining Ring,         | 1.20   | 76   | 874-67574    | Bearing, Ext housing   | 16.87  |
| 17   | 874-68027 | 1/4"-28 x 1/2"       | 0.36   | 48   | 874-67256    | Seal, Seal Plate        | 4.50   | 77   | 874-67602    | Retaining Ring, Brg    | 1.44   |
| 18   | 874-62212 | Shift Shaft, Reverse | 42.72  | 48*  | 874-67256V   | Seal, Seal Plate Viton  | 17.41  | 78   | 874-67257V   | Seal, Ext Housing      | 22.73  |
| 19   | 874-62211 | Shift Shaft,         | 42.72  | 49   | 874-67483    | O'ring, Seal Plate      | 4.27   | 79   | 874-67691    | Retaining Ring, Seal   | 3.77   |
| 20   | 874-67259 | Seal, Shift Shaft    | 2.60   | 50   | 874-61744    | Seal Plate              | 49.18  | 98   | 874-68035    | Plug, Fill             | 3.08   |
| 21   | 874-61741 | Sliding Gear         | 111.90 | 51   | 874-67195    | 5/16-18 x 3/4" 12pt     | 2.03   | 99   | 874-67874    | Plug, Drain            | 2.25   |
| 22   | 874-67686 | Retaining Ring       | 3.99   | 52   | 874-61739-01 | Input Shaft, 22 spline  | 93.75  | 100  | 874-68032    | Jam Nut, Heim End      | 0.46   |
| 23   | 874-67685 | Retaining Ring,      | 1.17   | 53   | 874-67481    | O'ring, reverse Shaft   | 0.37   | 101  | 874-67580    | Heim End               | 5.95   |
| 24   | 874-67556 | Bearing, Rear Shaft  | 17.14  | 54   | 874-67992    | Roll Pin, Reverse Shaft | 0.25   | 105  | 874-68052    | Case Plug              | 1.25   |
| 25   | 874-67695 | Retaining Ring       | 1.47   | 55   | 874-61743    | Reverse Counter Shaft   | 20.17  | 106  | 874-68025    | Cap Plug               | 1.35   |
| 26   | 874-67568 | Needle Bearing       | 13.50  | 56   | 874-68303    | Retaining ring          | 1.98   | 107  | 874-62407    | Collar                 | 60.30  |
| 27   | 874-61921 | Aluminum spacer      | 3.51   | 57   | 874-67563    | Needle Bearing          | 7.88   | 108  | 874-67639    | Snap Ring, Collar      | 1.50   |
| 28   | 874-67149 | 3/8-24 x 7/8 12pt,   | 2.25   | 58   | 874-61742    | Reverse Idler Gear      | 133.69 | 109  | 874-62901    | Input Shaft, 18 Spline | 76.78  |
| 29   | 874-61907 | Washer, Output       | 8.07   | 59   | 874-67480    | O'ring                  | 0.38   |      |              |                        |        |
| 30   | 874-61897 | Rear Shaft           | 108.66 | 60   | 874-67991    | Roll Pin, Counter Shaft | 0.25   |      |              |                        |        |