

CLOSED TUBE REAR END ORDER SHEET



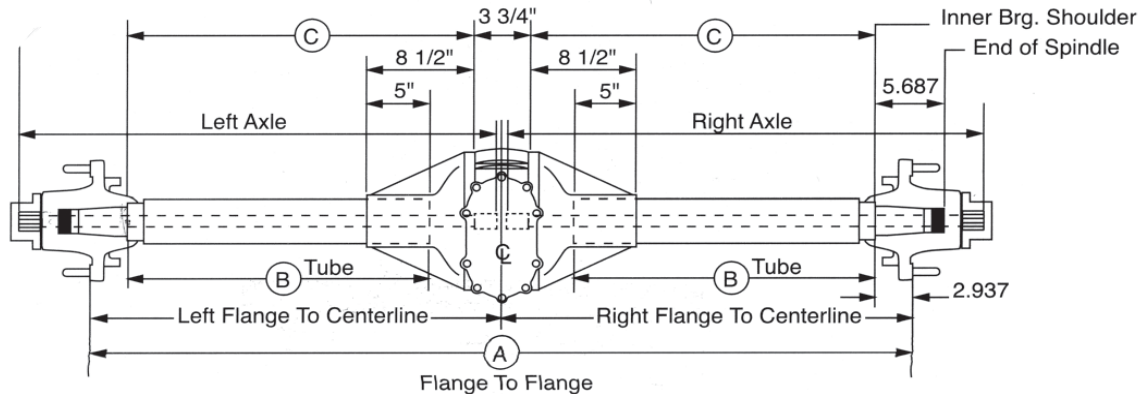
5170 N 125th St
 Butler WI 53007
 Phone: (800)255-4117
 Fax: (262)783-6293

Rear Number: _____

Customer: _____

Behling Rep: _____

Date: _____



Non-Shifter Rear End Type:

- ___ **5270** Wide-5 Rear Aluminum
- ___ **K5270** Wide-5 Rear Magnesium
- ___ **6790** 2" GN Rear Aluminum
- ___ **K6790** 2" GN Rear Magnesium
- ___ **5063** 2-1/2" GN Rear Aluminum
- ___ **K5063** 2-1/2" GN Rear Magnesium

Dimensions:

- ___ "A" Dimension
- ___ "B" Dimension (Left Side)
- ___ "B" Dimension (Right Side)

Ship To:

- ___ Behing Racing Equipment LLC
- ___ Our Customer's Address

ETA: _____

Rear End Options:

- 8104** Posi-Lock Nut
- ___ **8106** Heat Treated lower Shaft
- ___ **8111** 4.12 Ring and Pinion
- ___ **8115** Aluminum Spool Option
- ___ **8130** Ultralight Alum Spool
- ___ **8133** K2 Mag Sprint Center Option
- ___ **8136P** 4 Rib Bells w/Inspection Plug
- ___ **8137** H.D. Cover Double Row Brg
- ___ **8138** Alum Tube with Steel Snout
- ___ **8140** 1 Piece Alum Tubes
- 8143** Roller Brg Pinion Nose
- ___ **8151** Swedged Tube Option
- ___ **8155P** 8 Rib Bells w/Inspection Plug
- ___ **8171** Billet Aluminum Locker
- ___ **8171L** Lightweight locker
- ___ **8182** Aluminum Yoke
- ___ **8183** Winters Tripple Track
- ___ **8183S** Winters Steel Tripple Track
- ___ **8199** Seal Plate with Viton Rubber
- ___ **8202-412** EDM 4.12 Ring and Pinion
- ___ **8202-486** EDM 4.86 Ring and Pinion
- ___ **8208** Thermal Dipersant Coating
- ___ **8218RP** REM Polished Ring and Pinion
- ___ **8252** Big Beating Cover w/Retainers
- ___ **8264** Gear Cover Pump

Please Confirm Order With estimated Time of Arival!!